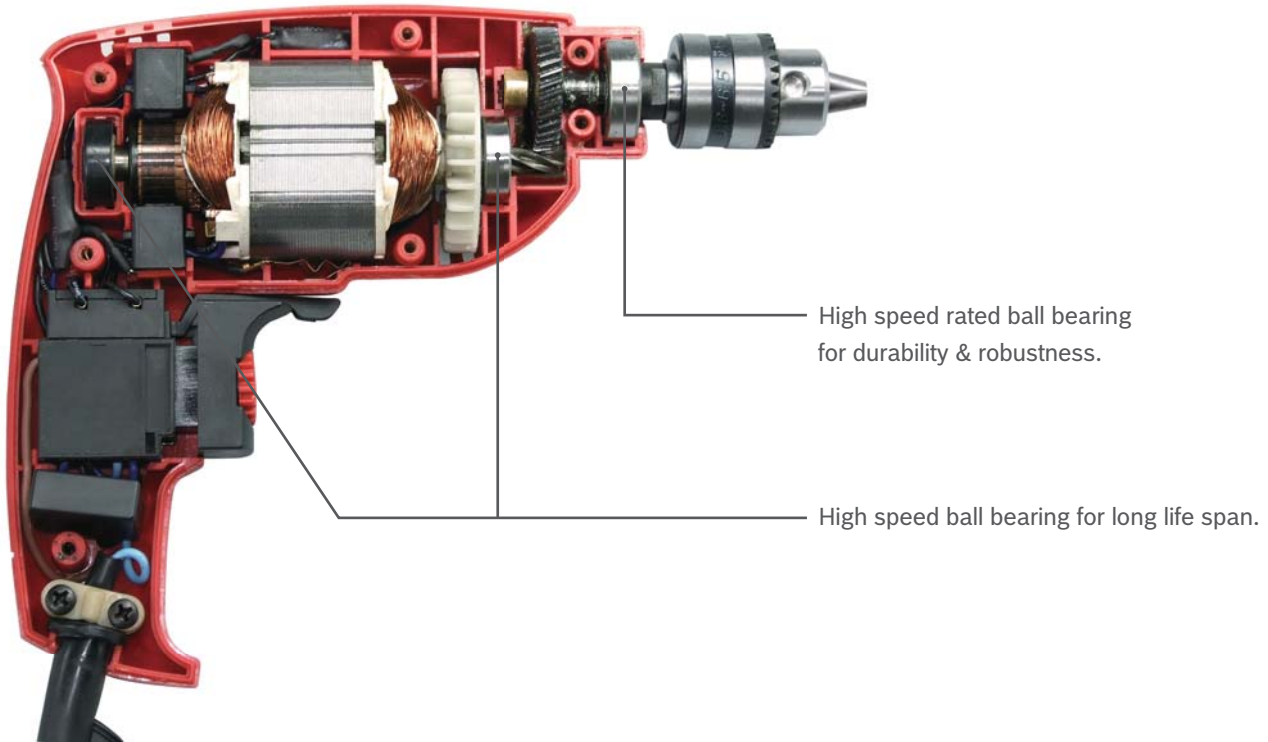


SKIL® The Power To Perform

**The versatile drill
that gets the job done.**



Rotary Drill 6538



- Easy handling with its **super compact size & light weight**
- **Optimal grip position** to ensure user comfortability
- **Speed selection knob** to preselect speed for optimal performance in every application
- **Reverse function for screwdriving.** Reverse button conveniently placed just above the switch for right- and left- hand use
- **Lock-on button** for continuous work
- **Durable ball-bearing construction** for longer life.

Specifications

Input power:	300 W
Chuck type:	6mm keyed
No-load speed:	0-4500 rpm
Capacity in steel:	6.5mm
Capacity in aluminium:	6.5mm
Capacity in wood:	13mm

Standard equipment

Chuck wrench



Product pictured may vary slightly from the product available in your market.